

Delock GSM / UMTS Antenna SMA plug 0.7 - 1.6 dBi 1 m ULA100 omnidirectional fixed outdoor white

Description

This GSM / UMTS / LTE antenna can be connected to a GSM / UMTS / LTE device with SMA interface, in order to send and receive signals.



Item no. 88986

EAN: 4043619889860

Country of origin: Taiwan,
Republic of China

Package: Zip poly bag

Technical details

- Connector: SMA plug
- Frequency range:
824 - 960 MHz
1710 MHz - 2170 MHz
- Antenna gain:
0.7 dBi @ 824 - 960 MHz
1.6 dBi @ 1710 MHz - 2170 MHz
- Impedance: 50 Ohm
- Polarisation: linear, vertical
- Horizontal beam angle: 360°
- VSWR:
4.0 @ 824 - 960 MHz
2.5 @ 1710 MHz - 2170 MHz
- Operating temperature: -10 °C ~ 50 °C
- Housing material: polycarbonate
- IP67 protection class
- Screw mounting with 13 mm bore hole
- Colour: white

- Dimensions (LxD): ca. 77 x 45 mm
- Cable: Coaxial
- Cable type: ULA 100
- Cable color: black
- Cable loss: 1.4 dB @ 2500 MHz per meter
- Cable diameter: 2.79 mm
- Cable length: ca. 1 m

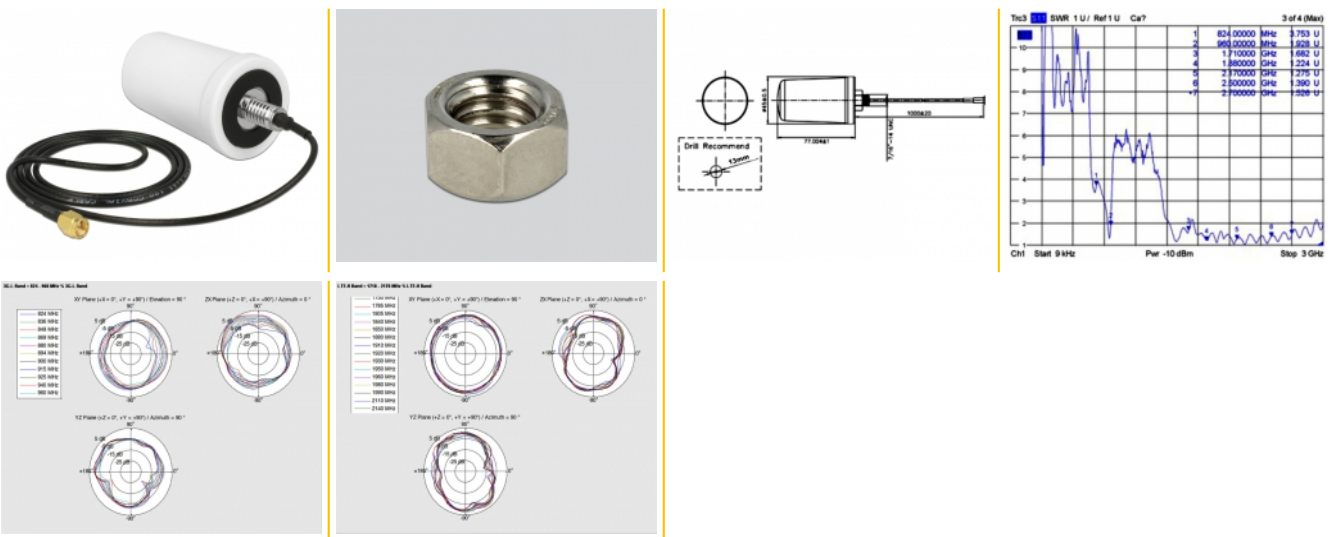
System requirements

- Device with a free SMA jack

Package content

- GSM / UMTS antenna

Images



General

Mounting type:	Screw mounting with 13 mm bore hole
Protection category:	IP67

Interface

connector:	SMA Stecker
------------	-------------

Technical characteristics

Frequency range:	824 MHz - 960 MHz 1710 MHz - 2170 MHz
Gain:	0.7 dBi @ 824 MHz - 960 MHz 1.6 dBi @ 1710 MHz - 2170 MHz
Beam width horizontal:	360°
Impedance:	50 Ω
Operating temperature:	-10 °C ~ 50 °C
Polarisation:	linear vertical
VSWR:	4.0 @ 824 MHz - 960 MHz 2.5 @ 1710 MHz - 2170 MHz

Physical characteristics

Housing material:	Polycarbonat
Cable category:	coaxial
Cable type:	ULA 100
Cable attenuation:	1.4 dB @ 2500 MHz per meter
Cable colour:	black
Cable length:	1 m
Colour:	white
Dimensions (LxØ):	77 x 45 mm