

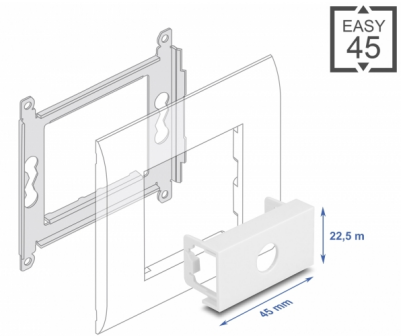
Delock Easy 45 Module Plate Round cut-out M10, 45 x 22.5 mm white

Description

This module plate by Delock provides a hole cut-out of 10.2 mm. The simple snap-in mechanism ensures that the cover is firmly in place and can be easily changed if necessary.

Easy 45 connects

Easy 45 is a variable, modular system that allows components such as **sockets, HDMI or USB connections** to be added according to your needs. The Easy 45 modules are standardised and can be mounted in various module holder or cable ducts. Easy 45 builds the interface between **electrical, network and system installation** and many peripheral devices such as **TV, monitors, printers, laptops** and much more.



Item no. 81434

EAN: 4043619814343

Country of origin: China

Package: Zip poly bag

Technical details

- Material: PC plastic
- Suitable for module holder Delock Easy 45
- Suitable for 45 mm cable duct with minimum depth 45 mm
- Cut-out: Ø 10.2 mm
- Module size: 22.5 x 45 mm
- Dimensions (LxWxH): ca. 45.0 x 22.5 x 22.0 mm
- Colour: white

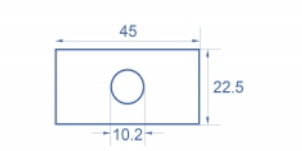
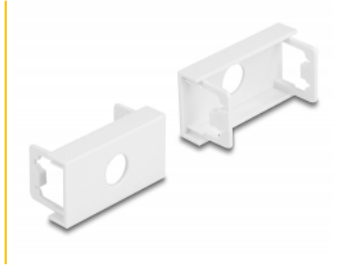
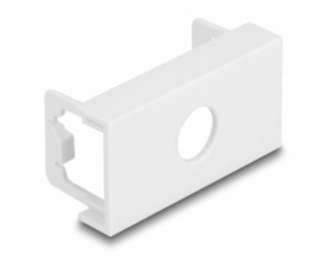
System requirements

- A free module port Delock Easy 45 (22.5 x 45 mm)

Package content

- 1 x module plate

Images



General

| | |
|----------------|---------|
| Mounting type: | Easy 45 |
|----------------|---------|

Physical characteristics

| | |
|-------------------|---------------|
| Housing material: | Plastic |
| Length: | 22.0 mm |
| Width: | 22.5 mm |
| Height: | 45 mm |
| Colour: | RAL 9003 Weiß |