

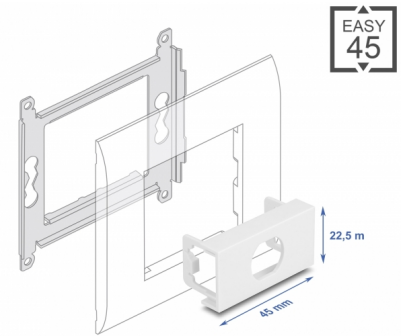
Delock Easy 45 Module Plate Round cut-out M15 Anti-twist, 45 x 22.5 mm white

Description

This module plate by Delock provides a hole cut-out of 15.2 mm with anti-twist. The simple snap-in mechanism ensures that the module is firmly in place and can be easily removed if necessary.

Easy 45 connects

Easy 45 is a variable, modular system that allows components such as **sockets, HDMI or USB connections** to be added according to your needs. The Easy 45 modules are standardised and can be mounted in various module holder or cable ducts. Easy 45 builds the **interface between electrical, network and system installation** and many peripheral devices such as **TV, monitors, printers, laptops** and much more.



Item no. 81429

EAN: 4043619814299

Country of origin: China

Package: Zip poly bag

Technical details

- Material: PC plastic
- Suitable for module holder Delock Easy 45
- Suitable for 45 mm cable duct with minimum depth 45 mm
- Cut-out: Ø 15.2 mm
- Module size: 22.5 x 45 mm
- Dimensions (LxWxH): ca. 45.0 x 22.5 x 22.0 mm
- Colour: white

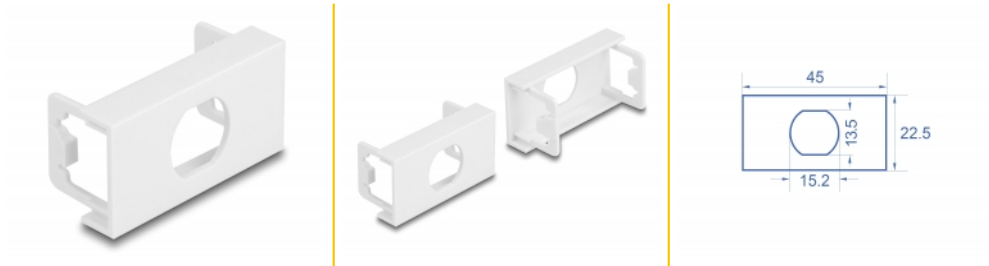
System requirements

- A free module port Delock Easy 45 (22.5 x 45 mm)

Package content

- 1 x module plate

Images



General

Mounting type:	Easy 45
----------------	---------

Physical characteristics

Housing material:	Plastic
Length:	22.0 mm
Width:	22.5 mm
Height:	45 mm
Colour:	RAL 9003 Weiß