

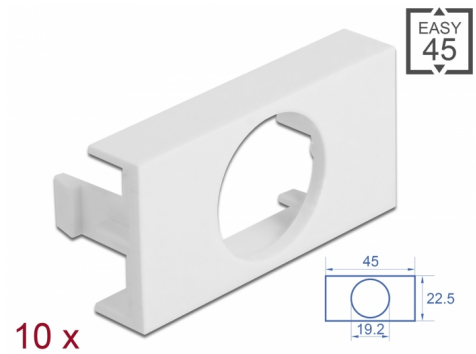
# Delock Easy 45 Module Plate Round cut-out Ø 19.2 mm, 45 x 22.5 mm 10 pieces white

## Description

This module plate by Delock provides a hole cut-out of 19.2 mm. The simple snap-in mechanism ensures that the cover is firmly in place and can be easily changed if necessary.

### Easy 45 connects

Easy 45 is a variable, modular system that allows components such as sockets, HDMI or USB connections to be added according to your needs. The Easy 45 modules are standardised and can be mounted in various module holder or cable ducts. Easy 45 builds the interface between electrical, network and system installation and many peripheral devices such as TV, monitors, printers, laptops and much more.



**Item no. 81314**

EAN: 4043619813148

Country of origin: Taiwan, Republic of China

Package: Zip poly bag

## Technical details

- Material: PC plastic
- Suitable for module holder Delock Easy 45
- Suitable for 45 mm cable duct with minimum depth 45 mm
- Cut-out: Ø 19.2 mm
- Module size: 22.5 x 45 mm
- Dimensions (LxWxH): ca. 45.0 x 22.5 x 22.0 mm
- Colour: white

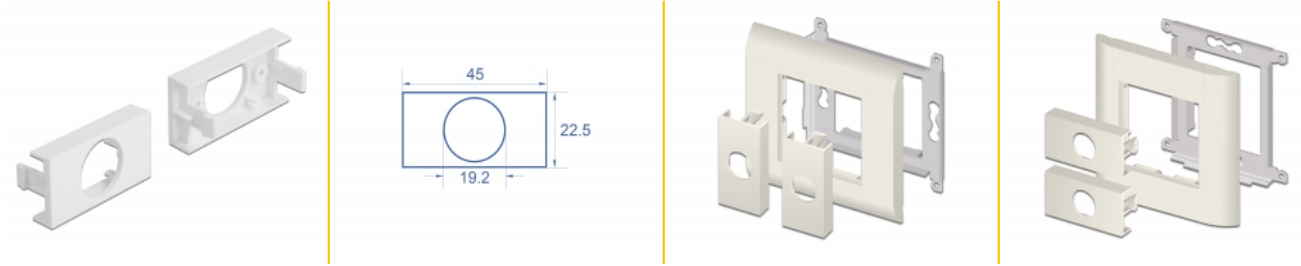
## System requirements

- A free module port Delock Easy 45 (22.5 x 45 mm)

## Package content

- 10 x module plate

## Images



## General

Mounting type:	Easy 45
----------------	---------

## Physical characteristics

Housing material:	Plastic
Length:	22.0 mm
Width:	22.5 mm
Height:	45 mm
Colour:	RAL 9003 Weiß