

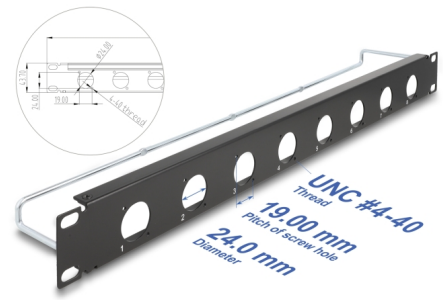
# Delock 19" D-Type Patch Panel with strain relief 8 port 1U black

## Description

This patch panel by Delock can be mounted in a **19" rack**. With its standardized dimensions, it is suitable for **easy mounting of 8 D-type modules**.

### With strain relief for optimal cable management

On the back of the patch panel, the cables can be fixed with cable ties to enable **clear and orderly cable routing**.



**Item no. 67059**

EAN: 4043619670598

Country of origin: China

Package: Box

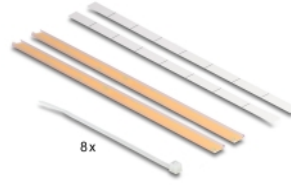
## Technical details

- 8 D-type ports 24 x 19 mm
- Ports with thread UNC #4-40
- For mounting in 19" racks, 1U
- Material: metal
- Colour: black
- Dimensions (LxWxH): ca. 482.6 x 78.1 x 44.0 mm

## Package content

- D-type patch panel
- 1 x strain relief
- 2 x plastic guide for self-adhesive label
- 2 x label for lettering
- 8 x cable tie

## Images



## General

Mounting type:	19 in
----------------	-------

## Physical characteristics

Material:	metal
Length:	482.6 mm
Width:	78.1 mm
Height:	44.0 mm
Colour:	black