

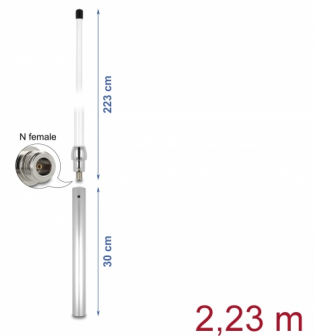
Delock LPWAN 824 - 896 MHz Antenna N jack 10 dBi 223 cm omnidirectional fixed wall and pole mounting outdoor white

Description

This antenna by Delock allows the usage of the 824 - 896 MHz band indoors and outdoors.

LPWAN

LPWAN (Low Power Wide Area Network) are radio networks that cover large distances. They are characterized by a high reception sensitivity and by a low energy consumption.



Item no. 12581

EAN: 4043619125814

Country of origin: China

Package: Roll

Technical details

- Connector: 1 x N jack
- Frequency range: 824 - 896 MHz
- LoRa, Sigfox, ZigBee, Z-Wave
- Antenna gain: 10 dBi
- Impedance: 50 Ohm
- VSWR: 1.5
- Polarisation: vertical
- HBW horizontal beamwidth: 360°
- VBW vertical beamwidth: 12°
- Operating temperature: -50 °C ~ 70 °C
- Housing material: GFRP
- Colour: grey
- Dimensions (L): ca. 2.23 m

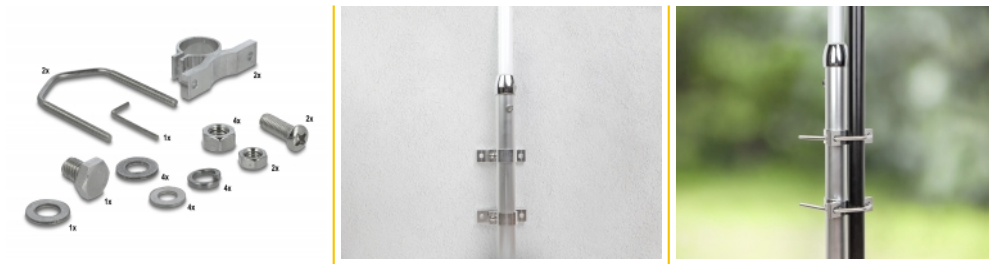
System requirements

- Device with one free N port

Package content

- Antenna
- Mounting material

Images



General

Suitable for outdoor:	yes
-----------------------	-----

Interface

connector:	1 x N female
------------	--------------

Technical characteristics

Frequency range:	824 MHz - 896 MHz
Antenna gain:	10 dBi
Beam width horizontal:	360°
Beam width vertical:	12°
Impedance:	50 Ω
Operating temperature:	-50 °C ~ 70 °C
Polarisation:	vertical
VSWR:	1.5

Physical characteristics

Housing material:	GFRP
Weight:	2.5 kg
Length:	2.23 m